

Figure 4.5. Schematic diagram of the LEDs.

Signal Name	FPGA Pin No.	Description
SW[0]	PIN_N25	Toggle Switch[0]
SW[1]	PIN_N26	Toggle Switch[1]
SW[2]	PIN_P25	Toggle Switch[2]
SW[3]	PIN_AE14	Toggle Switch[3]
SW[4]	PIN_AF14	Toggle Switch[4]
SW[5]	PIN_AD13	Toggle Switch[5]
SW[6]	PIN_AC13	Toggle Switch[6]
SW[7]	PIN_C13	Toggle Switch[7]
SW[8]	PIN_B13	Toggle Switch[8]
SW[9]	PIN_A13	Toggle Switch[9]
SW[10]	PIN_N1	Toggle Switch[10]
SW[11]	PIN_P1	Toggle Switch[11]
SW[12]	PIN_P2	Toggle Switch[12]
SW[13]	PIN_T7	Toggle Switch[13]
SW[14]	PIN_U3	Toggle Switch[14]
SW[15]	PIN_U4	Toggle Switch[15]
SW[16]	PIN_V1	Toggle Switch[16]
SW[17]	PIN_V2	Toggle Switch[17]

Table 4.1. Pin assignments for the toggle switches.

Signal Name	FPGA Pin No.	Description
KEY[0]	PIN_G26	Pushbutton[0]
KEY[1]	PIN_N23	Pushbutton[1]
KEY[2]	PIN_P23	Pushbutton[2]
KEY[3]	PIN_W26	Pushbutton[3]

Table 4.2. Pin assignments for the pushbutton switches.

Signal Name	FPGA Pin No.	Description
LEDR[0]	PIN_AE23	LED Red[0]
LEDR[1]	PIN_AF23	LED Red[1]
LEDR[2]	PIN_AB21	LED Red[2]
LEDR[3]	PIN_AC22	LED Red[3]
LEDR[4]	PIN_AD22	LED Red[4]
LEDR[5]	PIN_AD23	LED Red[5]
LEDR[6]	PIN_AD21	LED Red[6]
LEDR[7]	PIN_AC21	LED Red[7]
LEDR[8]	PIN_AA14	LED Red[8]
LEDR[9]	PIN_Y13	LED Red[9]
LEDR[10]	PIN_AA13	LED Red[10]
LEDR[11]	PIN_AC14	LED Red[11]
LEDR[12]	PIN_AD15	LED Red[12]
LEDR[13]	PIN_AE15	LED Red[13]
LEDR[14]	PIN_AF13	LED Red[14]
LEDR[15]	PIN_AE13	LED Red[15]
LEDR[16]	PIN_AE12	LED Red[16]
LEDR[17]	PIN_AD12	LED Red[17]
LEDG[0]	PIN_AE22	LED Green[0]
LEDG[1]	PIN_AF22	LED Green[1]
LEDG[2]	PIN_W19	LED Green[2]
LEDG[3]	PIN_V18	LED Green[3]
LEDG[4]	PIN_U18	LED Green[4]
LEDG[5]	PIN_U17	LED Green[5]
LEDG[6]	PIN_AA20	LED Green[6]
LEDG[7]	PIN_Y18	LED Green[7]
LEDG[8]	PIN_Y12	LED Green[8]

Table 4.3. Pin assignments for the LEDs.

### 4.3 Using the 7-segment Displays

The DE2 Board has eight 7-segment displays. These displays are arranged into two pairs and a group of four, with the intent of displaying numbers of various sizes. As indicated in the schematic in Figure 4.6, the seven segments are connected to pins on the Cyclone II FPGA. Applying a low logic level to a segment causes it to light up, and applying a high logic level turns it off.

Each segment in a display is identified by an index from 0 to 6, with the positions given in Figure 4.7. Note that the dot in each display is unconnected and cannot be used. Table 4.4 shows the assignments of FPGA pins to the 7-segment displays.

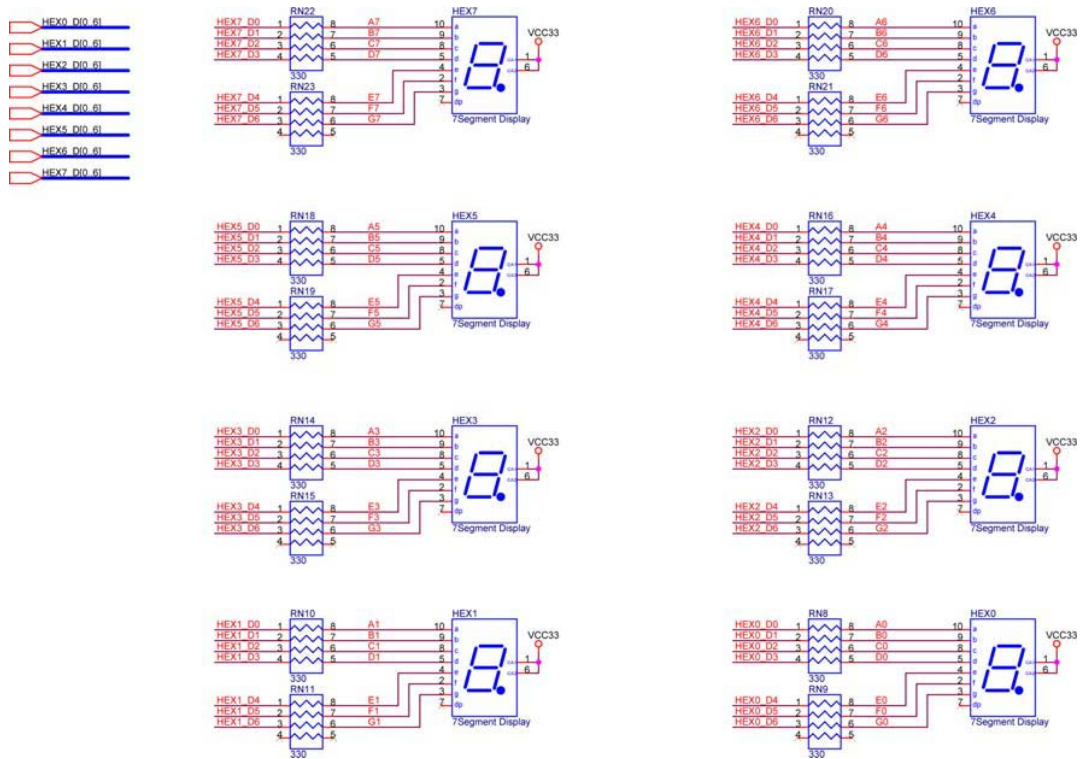


Figure 4.6. Schematic diagram of the 7-segment displays.

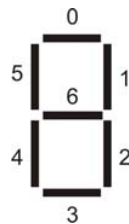


Figure 4.7. Position and index of each segment in a 7-segment display.

Signal Name	FPGA Pin No.	Description
HEX0[0]	PIN_AF10	Seven Segment Digit 0[0]
HEX0[1]	PIN_AB12	Seven Segment Digit 0[1]
HEX0[2]	PIN_AC12	Seven Segment Digit 0[2]
HEX0[3]	PIN_AD11	Seven Segment Digit 0[3]
HEX0[4]	PIN_AE11	Seven Segment Digit 0[4]
HEX0[5]	PIN_V14	Seven Segment Digit 0[5]
HEX0[6]	PIN_V13	Seven Segment Digit 0[6]
HEX1[0]	PIN_V20	Seven Segment Digit 1[0]
HEX1[1]	PIN_V21	Seven Segment Digit 1[1]
HEX1[2]	PIN_W21	Seven Segment Digit 1[2]
HEX1[3]	PIN_Y22	Seven Segment Digit 1[3]
HEX1[4]	PIN_AA24	Seven Segment Digit 1[4]
HEX1[5]	PIN_AA23	Seven Segment Digit 1[5]
HEX1[6]	PIN_AB24	Seven Segment Digit 1[6]
HEX2[0]	PIN_AB23	Seven Segment Digit 2[0]
HEX2[1]	PIN_V22	Seven Segment Digit 2[1]
HEX2[2]	PIN_AC25	Seven Segment Digit 2[2]
HEX2[3]	PIN_AC26	Seven Segment Digit 2[3]
HEX2[4]	PIN_AB26	Seven Segment Digit 2[4]
HEX2[5]	PIN_AB25	Seven Segment Digit 2[5]
HEX2[6]	PIN_Y24	Seven Segment Digit 2[6]
HEX3[0]	PIN_Y23	Seven Segment Digit 3[0]
HEX3[1]	PIN_AA25	Seven Segment Digit 3[1]
HEX3[2]	PIN_AA26	Seven Segment Digit 3[2]
HEX3[3]	PIN_Y26	Seven Segment Digit 3[3]
HEX3[4]	PIN_Y25	Seven Segment Digit 3[4]
HEX3[5]	PIN_U22	Seven Segment Digit 3[5]
HEX3[6]	PIN_W24	Seven Segment Digit 3[6]
HEX4[0]	PIN_U9	Seven Segment Digit 4[0]
HEX4[1]	PIN_U1	Seven Segment Digit 4[1]
HEX4[2]	PIN_U2	Seven Segment Digit 4[2]
HEX4[3]	PIN_T4	Seven Segment Digit 4[3]
HEX4[4]	PIN_R7	Seven Segment Digit 4[4]
HEX4[5]	PIN_R6	Seven Segment Digit 4[5]
HEX4[6]	PIN_T3	Seven Segment Digit 4[6]
HEX5[0]	PIN_T2	Seven Segment Digit 5[0]

HEX5[1]	PIN_P6	Seven Segment Digit 5[1]
HEX5[2]	PIN_P7	Seven Segment Digit 5[2]
HEX5[3]	PIN_T9	Seven Segment Digit 5[3]
HEX5[4]	PIN_R5	Seven Segment Digit 5[4]
HEX5[5]	PIN_R4	Seven Segment Digit 5[5]
HEX5[6]	PIN_R3	Seven Segment Digit 5[6]
HEX6[0]	PIN_R2	Seven Segment Digit 6[0]
HEX6[1]	PIN_P4	Seven Segment Digit 6[1]
HEX6[2]	PIN_P3	Seven Segment Digit 6[2]
HEX6[3]	PIN_M2	Seven Segment Digit 6[3]
HEX6[4]	PIN_M3	Seven Segment Digit 6[4]
HEX6[5]	PIN_M5	Seven Segment Digit 6[5]
HEX6[6]	PIN_M4	Seven Segment Digit 6[6]
HEX7[0]	PIN_L3	Seven Segment Digit 7[0]
HEX7[1]	PIN_L2	Seven Segment Digit 7[1]
HEX7[2]	PIN_L9	Seven Segment Digit 7[2]
HEX7[3]	PIN_L6	Seven Segment Digit 7[3]
HEX7[4]	PIN_L7	Seven Segment Digit 7[4]
HEX7[5]	PIN_P9	Seven Segment Digit 7[5]
HEX7[6]	PIN_N9	Seven Segment Digit 7[6]

Table 4.4. Pin assignments for the 7-segment displays.

## 4.4 Clock Inputs

The DE2 board includes two oscillators that produce 27 MHz and 50 MHz clock signals. The board also includes an SMA connector which can be used to connect an external clock source to the board. The schematic of the clock circuitry is shown in Figure 4.8, and the associated pin assignments appear in Table 4.5.

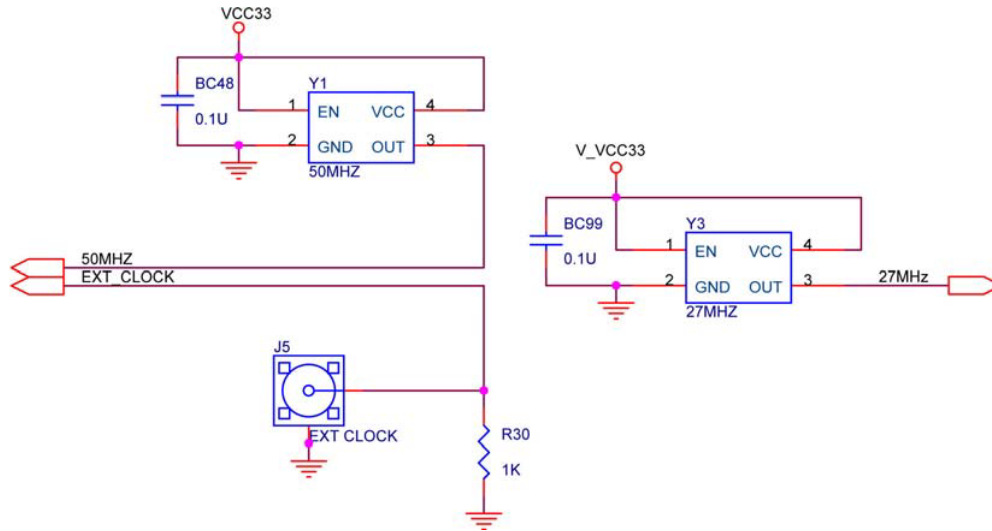


Figure 4.8. Schematic diagram of the clock circuit.

Signal Name	FPGA Pin No.	Description
CLOCK_27	PIN_D13	27 MHz clock input
CLOCK_50	PIN_N2	50 MHz clock input
EXT_CLOCK	PIN_P26	External (SMA) clock input

Table 4.5. Pin assignments for the clock inputs.

## 4.5 Using the LCD Module

The LCD module has built-in fonts and can be used to display text by sending appropriate commands to the display controller, which is called HD44780. Detailed information for using the display is available in its datasheet, which can be found on the manufacturer's web site, and from the *Datasheet* folder on the **DE2 System CD-ROM**. A schematic diagram of the LCD module showing connections to the Cyclone II FPGA is given in Figure 4.9. The associated pin assignments appear in Table 4.6.

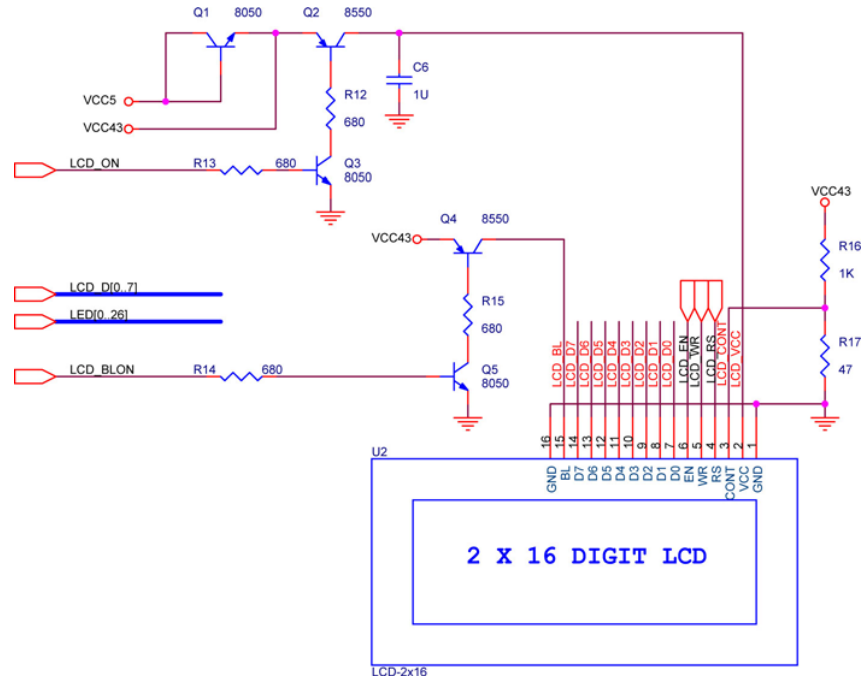


Figure 4.9. Schematic diagram of the LCD module.

Signal Name	FPGA Pin No.	Description
LCD_DATA[0]	PIN_J1	LCD Data[0]
LCD_DATA[1]	PIN_J2	LCD Data[1]
LCD_DATA[2]	PIN_H1	LCD Data[2]
LCD_DATA[3]	PIN_H2	LCD Data[3]
LCD_DATA[4]	PIN_J4	LCD Data[4]
LCD_DATA[5]	PIN_J3	LCD Data[5]
LCD_DATA[6]	PIN_H4	LCD Data[6]
LCD_DATA[7]	PIN_H3	LCD Data[7]
LCD_RW	PIN_K4	LCD Read/Write Select, 0 = Write, 1 = Read
LCD_EN	PIN_K3	LCD Enable
LCD_RS	PIN_K1	LCD Command/Data Select, 0 = Command, 1 = Data
LCD_ON	PIN_L4	LCD Power ON/OFF
LCD_BLON	PIN_K2	LCD Back Light ON/OFF

Table 4.6. Pin assignments for the LCD module.